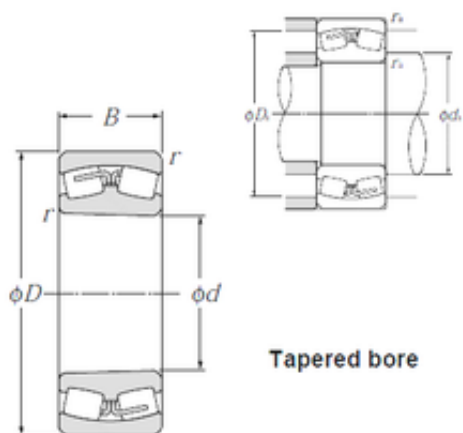




# NACHI BEARINGS TRAINING INDUSTRY

400 mm x 540 mm x 106 mm NTN 23980K  
spherical roller bearings



Bearing No. 23980K

Size	400x540x106 mm
Bore Diameter	400 mm
Outer Diameter	540 mm
Width	106 mm
d	400 mm
D	540 mm
B	106 mm
C	106 mm
r min.	4 mm
da min.	418 mm
Da max.	522 mm
ra max.	3 mm
Weight	70,7 Kg
Basic dynamic load rating (C)	1 580 kN
Basic static load rating (C0)	3 650 kN
(Grease) Lubrication Speed	550 r/min
(Oil) Lubrication Speed	720 r/min
Calculation factor (e)	0,18
Calculation factor (Y0)	3,63
Calculation factor (Y1)	3,71

23980K Bearing 2D drawings and 3D CAD models