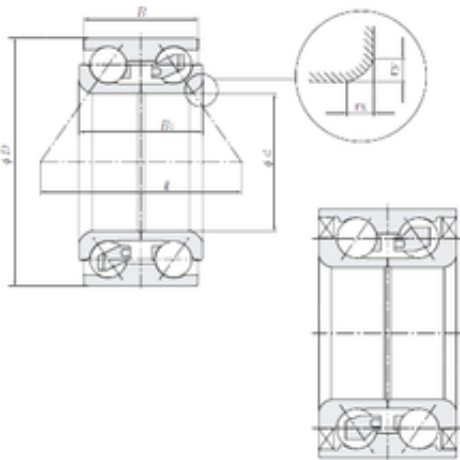




NACHI BEARINGS TRAINING INDUSTRY



36 mm x 72 mm x 42 mm NTN 2B-DE07A37CS22/L260 angular contact ball bearings

Bearing No. 2B-DE07A37CS22/L260

Size	36x72x42 mm
Bore Diameter	36 mm
Outer Diameter	72 mm
Width	42 mm
d	36 mm
D	72 mm
B	42 mm
C	42 mm
rx	3,5 mm
ry	3 mm
	60,4 Tolerance h14
Weight	0,72 Kg
Basic dynamic load rating (C)	33,5 kN
Basic static load rating (C0)	23,9 kN

2B-DE07A37CS22/L260 Bearing 2D drawings and 3D CAD models