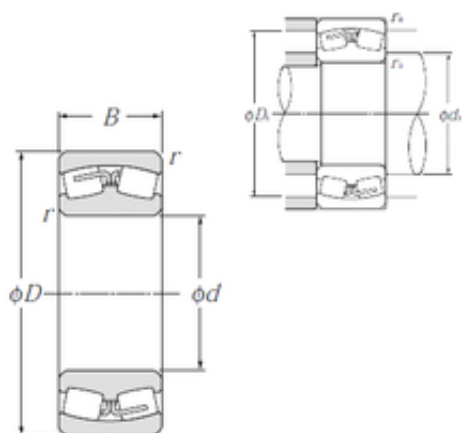




NACHI BEARINGS TRAINING INDUSTRY

75 mm x 130 mm x 31 mm NTN LH-22215E spherical roller bearings



Bearing No. LH-22215E

Size	75x130x31 mm
Bore Diameter	75 mm
Outer Diameter	130 mm
Width	31 mm
d	75 mm
D	130 mm
B	31 mm
C	31 mm
r min.	1,5 mm
da min.	83,5 mm
da max	89 mm
Da min	117,5 mm
Da max.	121,5 mm
ra max.	1,5 mm
Weight	1,59 Kg
Basic dynamic load rating (C)	190 kN
Basic static load rating (C0)	246 kN
(Grease) Lubrication Speed	3 200 r/min
(Oil) Lubrication Speed	4 200 r/min
Calculation factor (e)	0,22
Calculation factor (Y0)	2,94
Calculation factor (Y1)	3

LH-22215E Bearing 2D drawings and 3D CAD models