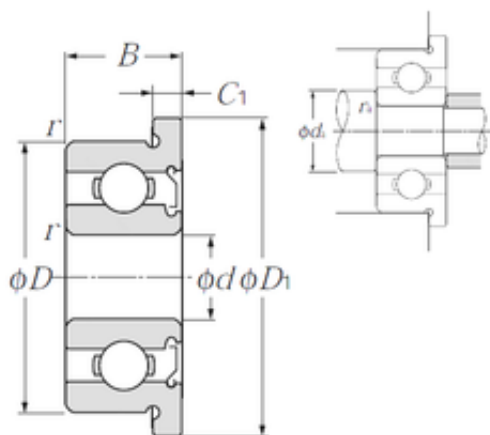




NACHI BEARINGS TRAINING INDUSTRY



8 mm x 22 mm x 7 mm NTN FL608Z deep groove ball bearings

Bearing No. FL608Z

Size	8x25x7 mm
Bore Diameter	8 mm
Outer Diameter	25 mm
Width	7 mm
d	8 mm
D	22 mm
D1	25 mm
B	7 mm
C	7 mm
r min.	0,3 mm
C1	1,5 mm
da min.	10 mm
da max	12,2 mm
Da max.	20 mm
ra max.	0,3 mm
Weight	13 Kg
Basic dynamic load rating (C)	3,35 kN
Basic static load rating (C0)	1,4 kN
(Grease) Lubrication Speed	32 000 r/min
(Oil) Lubrication Speed	37 000 r/min

FL608Z Bearing 2D drawings and 3D CAD models