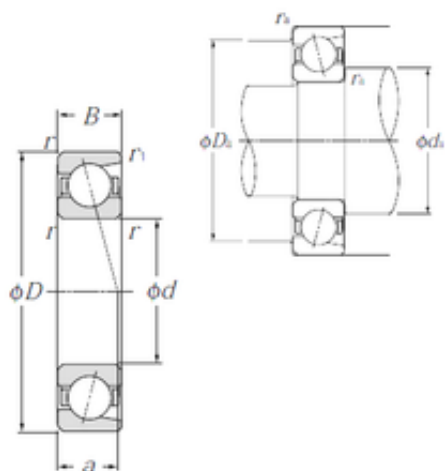




NACHI BEARINGS TRAINING INDUSTRY

100 mm x 150 mm x 24 mm NTN 7020C
angular contact ball bearings



Bearing No. 7020C

Size	100x150x24 mm
Bore Diameter	100 mm
Outer Diameter	150 mm
Width	24 mm
d	100 mm
D	150 mm
B	24 mm
C	24 mm
Angle (°)	15 °
a	28,5 mm
r min.	1,5 mm
r1 min.	1 mm
Weight	1,25 Kg
Basic dynamic load rating (C)	75,5 kN
Basic static load rating (C0)	77 kN
(Grease) Lubrication Speed	6 400 r/min
(Oil) Lubrication Speed	8 600 r/min

7020C Bearing 2D drawings and 3D CAD models