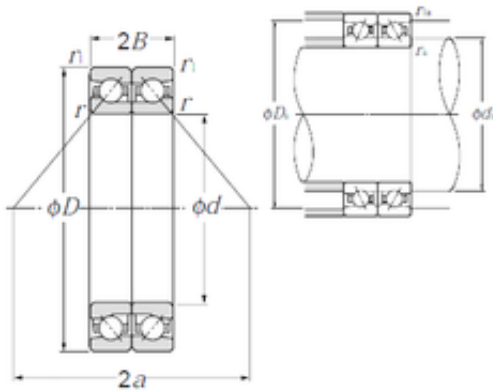




# NACHI BEARINGS TRAINING INDUSTRY

320 mm x 440 mm x 54 mm NTN HTA964DB  
angular contact ball bearings



Bearing No. HTA964DB

Size	320x440x54 mm
Bore Diameter	320 mm
Outer Diameter	440 mm
Width	54 mm
d	320 mm
D	440 mm
B	54 mm
C	54 mm
ra1 max.	1 mm
r min.	3 mm
r1 min.	1,1 mm
2B	108 mm
da min.	340 mm
Da max.	430 mm
ra max.	2,5 mm
Weight	49 Kg
Basic dynamic load rating (C)	330 kN
Basic static load rating (C0)	1 180 kN
(Grease) Lubrication Speed	1 300 r/min

HTA964DB Bearing 2D drawings and 3D CAD models