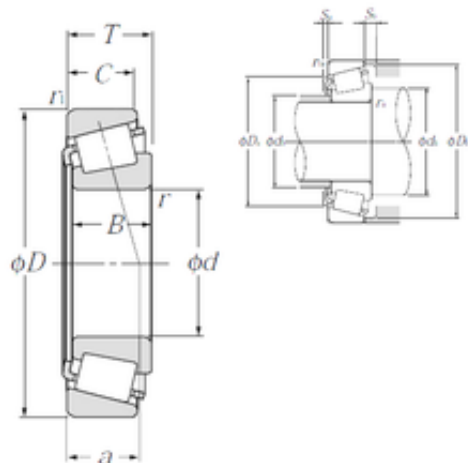




NACHI BEARINGS TRAINING INDUSTRY



55 mm x 120 mm x 29 mm NTN 4T-30311D tapered roller bearings

Bearing No. 4T-30311D

4T-30311D Bearing 2D drawings and 3D CAD models

Size	55x120x31.5 mm
Bore Diameter	55 mm
Outer Diameter	120 mm
Width	31,5 mm
d	55 mm
D	120 mm
T	31,5 mm
B	29 mm
C	21 mm
ra1 max.	2 mm
a	38 mm
r min.	2,5 mm
r1 min.	2 mm
da min.	67 mm
Da min	94 mm
Da max.	110 mm
db max.	68 mm
Db min.	113 mm
ra max.	2 mm
Sa	4 mm
Sb	10,5 mm
Weight	1,59 Kg
Basic dynamic load rating (C)	132 kN
Basic static load rating (C0)	154 kN
(Grease) Lubrication Speed	2 900 r/min



NACHI BEARINGS TRAINING INDUSTRY

(Oil) Lubrication Speed	3 800 r/min
Calculation factor (e)	0,83
Calculation factor (Y0)	0,4
d1	88.5 mm
rs min	2.5 mm
r1s min	2 mm
e	0.83
Y2	0.73
Y0	0.4
Mass	1.59 kg
ISO 355 reference	T7FB055
Dynamic load, C	132 kN
Rating life coefficient, A2	1.4
Static load, C0	154 kN
Fatigue limit load, Cu	18.8 kN
Nlim (oil)	3,800 rpm
Nlim (grease)	2,900 rpm
Min operating temperature, Tmin	-40 ° C
Max operating temperature, Tmax	120 ° C
Characteristic cage frequency, FTF	0.42 Hz
Characteristic rolling element frequency, BSF	5.52 Hz
Characteristic outer ring frequency, BPF0	6.76 Hz
Characteristic inner ring frequency, BRFI	9.24 Hz
da max	68 mm
db min	67 mm
Da max	110 mm
Db min	113 mm
Ca min	4 mm



NACHI BEARINGS TRAINING INDUSTRY

Cb min	10.5 mm
ra max	2 mm
r1a max	2 mm
Category	Roller Bearings
Inventory	0.0
Manufacturer Name	NTN
Minimum Buy Quantity	N/A
Weight / Kilogram	0
EAN	4547359526363
Product Group	B04336