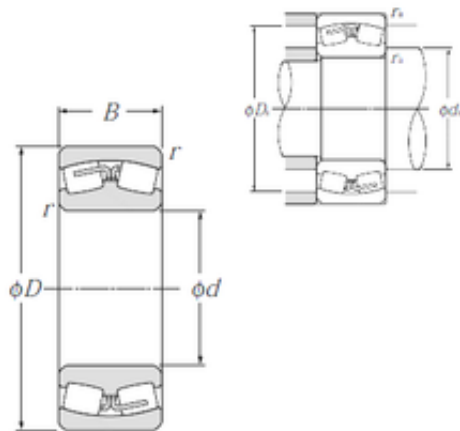




# NACHI BEARINGS TRAINING INDUSTRY

## 130 mm x 210 mm x 64 mm NTN 23126B spherical roller bearings



Bearing No. 23126B

23126B Bearing 2D drawings and 3D CAD models

Size	130x210x64 mm
Bore Diameter	130 mm
Outer Diameter	210 mm
Width	64 mm
d	130 mm
D	210 mm
B	64 mm
C	64 mm
r min.	2 mm
da min.	140 mm
Da max.	200 mm
ra max.	2 mm
Weight	8,47 Kg
Basic dynamic load rating (C)	495 kN
Basic static load rating (C0)	795 kN
(Grease) Lubrication Speed	1 500 r/min
(Oil) Lubrication Speed	2 000 r/min
Calculation factor (e)	0,3
Calculation factor (Y0)	2,18
Calculation factor (Y1)	2,23
Category	Bearings
Inventory	0.0
Manufacturer Name	NTN
Minimum Buy Quantity	N/A
Weight / Kilogram	8.48



# NACHI BEARINGS TRAINING INDUSTRY

EAN	4547359280340
Product Group	B04311