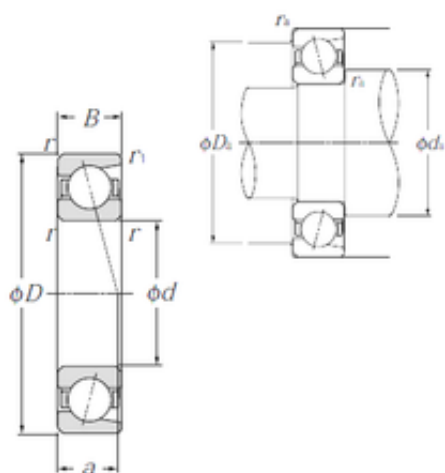




NACHI BEARINGS TRAINING INDUSTRY

50 mm x 90 mm x 20 mm NTN 7210 angular contact ball bearings



Bearing No. 7210

Size	50x90x20 mm
Bore Diameter	50 mm
Outer Diameter	90 mm
Width	20 mm
d	50 mm
D	90 mm
B	20 mm
C	20 mm
Angle (°)	25 °
a	30 mm
r min.	1,1 mm
r1 min.	0,6 mm
da min.	57 mm
db min	54,5 mm
ra max.	1 mm
Weight	0,457 Kg
Basic dynamic load rating (C)	41,5 kN
Basic static load rating (C0)	31,5 kN
(Grease) Lubrication Speed	7 900 r/min
Contact angle	30 °
rs min	1.1 mm
r1s min	0.6 mm
Mass	0.46 kg
Dynamic load, C	41.5 kN
Static load, C0	31.5 kN

7210 Bearing 2D drawings and 3D CAD models



NACHI BEARINGS TRAINING INDUSTRY

Fatigue limit load, Cu	1.43 kN
Nlim (oil)	10,000 rpm
Nlim (grease)	7,900 rpm
Min operating temperature, Tmin	-40 ° C
Max operating temperature, Tmax	120 ° C
da min	57 mm
Da max	83 mm
Db max	85.5 mm
r1a max	0.6 mm
ra max	1 mm
Category	Angular Contact Ball Bearings
Inventory	0.0
Manufacturer Name	NTN
Minimum Buy Quantity	N/A
Weight / Kilogram	0.472
EAN	4547359441888
Product Group	B00308
Enclosure	Open
Flush Ground	No
Rolling Element	Ball Bearing
Number of Rows of Balls	Single Row
Precision Class	ABEC 1 ISO P0
Maximum Capacity / Filling Slot	No
Snap Ring	No
Cage Material	Steel
Contact Angle	30 Degree
Internal Clearance	C0-Medium
Number of Bearings	1 (Single)
Inch - Metric	Metric



NACHI BEARINGS TRAINING INDUSTRY

Long Description	50MM Bore; 90MM Outside Diameter; 20MM Width; Open; No Flush Ground; Ball Bearing; Single Row of Balls; ABEC 1 ISO P0; No Filling Slot; No Snap Ring; C0-Medium; Steel Cage; 30 Degree; 1 (Single)
Category	Angular Contact Ball Bearing
UNSPSC	31171531
Harmonized Tariff Code	8482.10.50.28
Noun	Bearing
Keyword String	Angular Contact
Manufacturer URL	http://www.ntnamerica.com
Width	0.787 Inch 20 Millimeter
Outside Diameter	3.543 Inch 90 Millimeter
Bore	1.969 Inch 50 Millimeter