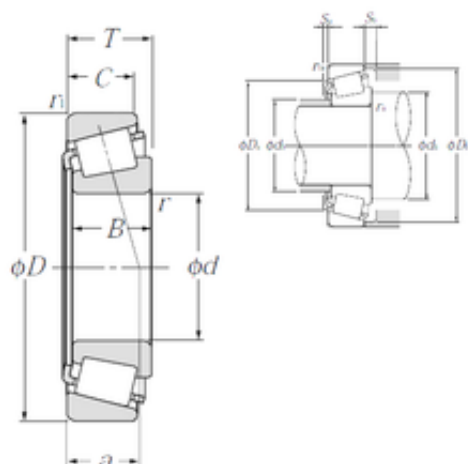




NACHI BEARINGS TRAINING INDUSTRY



55 mm x 80 mm x 17 mm NTN 32911XU tapered roller bearings

Bearing No. 32911XU

32911XU Bearing 2D drawings and 3D CAD models

Size	55x80x17 mm
Bore Diameter	55 mm
Outer Diameter	80 mm
Width	17 mm
d	55 mm
D	80 mm
T	17 mm
B	17 mm
C	14 mm
ra1 max.	1 mm
a	14,5 mm
r min.	1 mm
r1 min.	1 mm
da min.	60,5 mm
Da min	70,5 mm
Da max.	74,5 mm
db max.	60,5 mm
Db min.	76,5 mm
ra max.	1 mm
Sa	3 mm
Sb	3 mm
Weight	0,274 Kg
Basic dynamic load rating (C)	44,5 kN
Basic static load rating (C0)	73,5 kN
(Grease) Lubrication Speed	4 300 r/min



NACHI BEARINGS TRAINING INDUSTRY

(Oil) Lubrication Speed	5 700 r/min
Calculation factor (e)	0,31
Calculation factor (Y0)	1,07
d1	68 mm
rs min	1 mm
r1s min	1 mm
e	0.31
Y2	1.94
Y0	1.07
Mass	0.27 kg
ISO 355 reference	T2BC055
Dynamic load, C	44.5 kN
Rating life coefficient, A2	1
Static load, C0	73.5 kN
Fatigue limit load, Cu	9 kN
Nlim (oil)	5,700 rpm
Nlim (grease)	4,300 rpm
Min operating temperature, Tmin	-40 ° C
Max operating temperature, Tmax	120 ° C
Characteristic cage frequency, FTF	0.46 Hz
Characteristic rolling element frequency, BSF	12.85 Hz
Characteristic outer ring frequency, BPF0	14.79 Hz
Characteristic inner ring frequency, BPF1	17.21 Hz
da max	60.5 mm
db min	60.5 mm
Da max	74.5 mm
Db min	76.5 mm
Ca min	3 mm



NACHI BEARINGS TRAINING INDUSTRY

Cb min	3 mm
ra max	1 mm
r1a max	1 mm