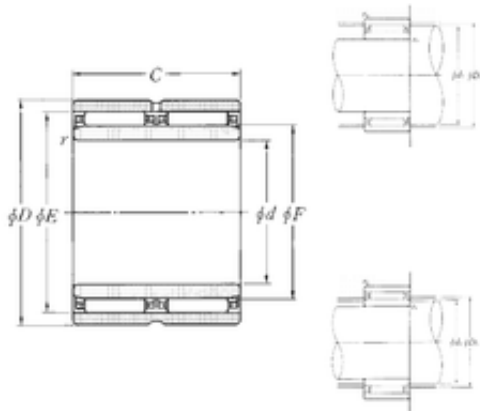




NACHI BEARINGS TRAINING INDUSTRY

20 mm x 37 mm x 32 mm NTN NAO-20 x 37 x 32ZW needle roller bearings



Bearing No. NAO-20 x 37 x 32ZW

Bore Diameter	20 mm
Outer Diameter	32 mm
d	20 mm
F	25 mm
D	37 mm
E	32 mm
B	32 mm
C	32 mm
r min.	0,3 mm
da min.	22 mm
Da max.	35 mm
db	31,4 mm
ra max.	0,3 mm
Db	25,6 mm
Weight	0,155 Kg
Basic dynamic load rating (C)	33,5 kN
Basic static load rating (C0)	49,5 kN
(Grease) Lubrication Speed	11 000 r/min

NAO-20 x 37 x 32ZW Bearing 2D drawings and 3D CAD models