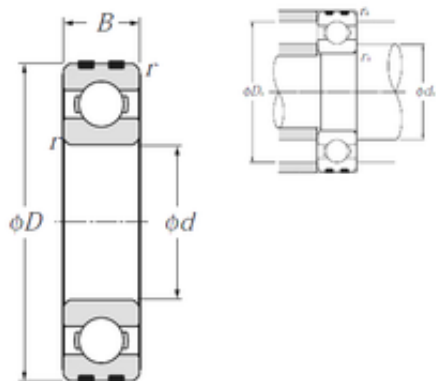




NACHI BEARINGS TRAINING INDUSTRY

40 mm x 68 mm x 15 mm NTN EC-6008 deep groove ball bearings



Bearing No. EC-6008

Size	40x68x15 mm
Bore Diameter	40 mm
Outer Diameter	68 mm
Width	15 mm
d	40 mm
D	68 mm
B	15 mm
C	15 mm
r min.	1 mm
da min.	45 mm
da max	47 mm
Da max.	63 mm
ra max.	1 mm
Weight	0,183 Kg
Basic dynamic load rating (C)	16,8 kN
Basic static load rating (C0)	11,5 kN
(Grease) Lubrication Speed	10 000 r/min
(Oil) Lubrication Speed	12 000 r/min

EC-6008 Bearing 2D drawings and 3D CAD models