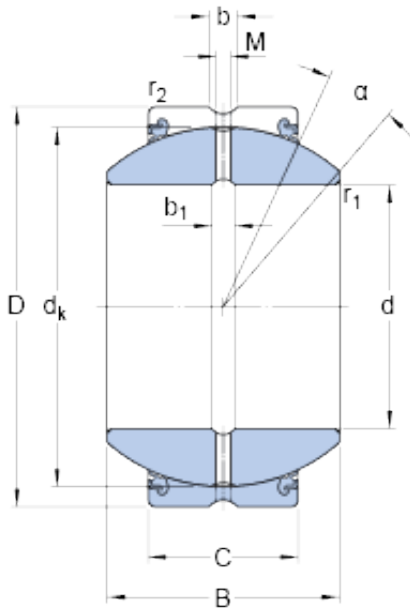




NACHI BEARINGS TRAINING INDUSTRY



GEH 25 ES-2LS Bearing 2D drawings and 3D CAD models

25 mm x 47 mm x 28 mm SKF GEH 25 ES-2LS plain bearings

Bearing No. GEH 25 ES-2LS

Size	47x25x28 mm
Bore Diameter	47 mm
Outer Diameter	25 mm
Width	28 mm
d	25 mm
D	47 mm
B	28 mm
C	18 mm
	17 °
d _k	40.7 mm
b	3.1 mm
b ₁	3.1 mm
M	2 mm
r ₁ - min.	0.6 mm
r ₂ - min.	0.6 mm
d _a - min.	28.6 mm
d _a - max.	29.5 mm
D _a - min.	41.3 mm
D _a - max.	44 mm
r _a - max.	0.6 mm
r _b - max.	0.6 mm
Basic dynamic load rating - C	62 kN
Basic static load rating - C ₀	310 kN
Specific factor dynamic load - K	100 N/mm ²



NACHI BEARINGS TRAINING INDUSTRY

Specific factor static load - K_0	500 N/mm ²
Constant - K_M	330
Lubricant	Regular relubrication – grease
Design (sliding contact surface combination)	Steel/steel
Sealing solution	Triple-lip seals
	17 °
d_k	40.7 mm
b_1	3.1 mm
r_1 min.	0.6 mm
r_2 min.	0.6 mm
d_a min.	28.6 mm
d_a max.	29.5 mm
D_a min.	41.3 mm
D_a max.	44 mm
r_a max.	0.6 mm
r_b max.	0.6 mm
Basic dynamic load rating C	62 kN
Basic static load rating C_0	310 kN
Specific dynamic load factor K	100 N/mm ²
Specific static load factor K_0	500 N/mm ²
Material constant K_M	330
Mass plain bearing	0.2 kg