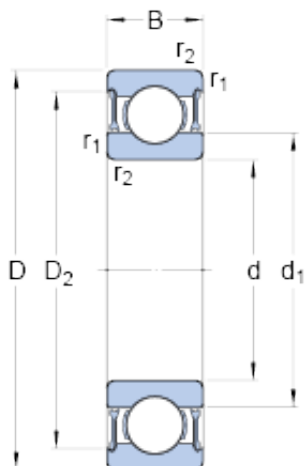




NACHI BEARINGS TRAINING INDUSTRY



30 mm x 55 mm x 13 mm SKF 6006-2RZ deep groove ball bearings

Bearing No. 6006-2RZ

6006-2RZ Bearing 2D drawings and 3D CAD models

Size	55x30x13 mm
Bore Diameter	55 mm
Outer Diameter	30 mm
Width	13 mm
d	30 mm
D	55 mm
B	13 mm
d ₁	38.2 mm
D ₂	49 mm
r _{1,2} - min.	1 mm
d _a - min.	34.6 mm
d _a - max.	38.1 mm
D _a - max.	50.4 mm
r _a - max.	1 mm
Basic dynamic load rating - C	13.8 kN
Basic static load rating - C ₀	8.3 kN
Fatigue load limit - P _u	0.355 kN
Reference speed	28000 r/min
Limiting speed	14000 r/min
Calculation factor - k _r	0.025
Calculation factor - f ₀	15
Category	Single Row Ball Bearings
Inventory	0.0
Manufacturer Name	SKF



NACHI BEARINGS TRAINING INDUSTRY

Minimum Buy Quantity	N/A
Weight / Kilogram	0.127
EAN	7316570425239
Product Group	B00308
Enclosure	2 Seals
Precision Class	ABEC 1 ISO P0
Maximum Capacity / Filling Slot	No
Rolling Element	Ball Bearing
Snap Ring	No
Internal Special Features	No
Cage Material	Steel
Enclosure Type	Non-Contact Seal
Internal Clearance	C0-Medium
Inch - Metric	Metric
Long Description	30MM Bore; 55MM Outside Diameter; 13MM Outer Race Width; 2 Seals; Ball Bearing; ABEC 1 ISO P0; No Filling Slot; No Snap Ring; No Internal Special Features; C0-Medium Internal Clearance; Steel Cage;
Other Features	Deep Groove NBR Seal
Category	Single Row Ball Bearing
UNSPSC	31171504
Harmonized Tariff Code	8482.10.50.68
Noun	Bearing
Keyword String	Ball
Manufacturer URL	http://www.skf.com
Manufacturer Item Number	6006-2RZ
Weight / LBS	0.26
Bore	1.181 Inch 30 Millimeter
Outside Diameter	2.165 Inch 55 Millimeter



NACHI BEARINGS TRAINING INDUSTRY

Outer Race Width	0.512 Inch 13 Millimeter
Inner Race Width	0 Inch 0 Millimeter
bore diameter:	30 mm
static load capacity:	8.3 kN
outside diameter:	55 mm
precision rating:	Not Rated
overall width:	13 mm
finish/coating:	Uncoated
bore type:	Round
cage material:	Steel
closure type:	Double Sealed
outer ring width:	13 mm
row type & fill slot:	Single Row Non-Fill Slot
fillet radius:	1 mm
internal clearance:	C0
maximum rpm:	14000 RPM
operating temperature range:	-40 to +210 ° F
series:	60
dynamic load capacity:	13.8 kN
d_1	38.2 mm
D_2	49 mm
$r_{1,2}$ min.	1 mm
d_a min.	34.6 mm
d_a max.	38.1 mm
D_a max.	50.4 mm
r_a max.	1 mm
Basic dynamic load rating C	13.8 kN
Basic static load rating C_0	8.3 kN
Fatigue load limit P_u	0.355 kN
Calculation factor k_r	0.025
Calculation factor f_0	14.7
Mass bearing	0.12 kg



NACHI BEARINGS TRAINING INDUSTRY