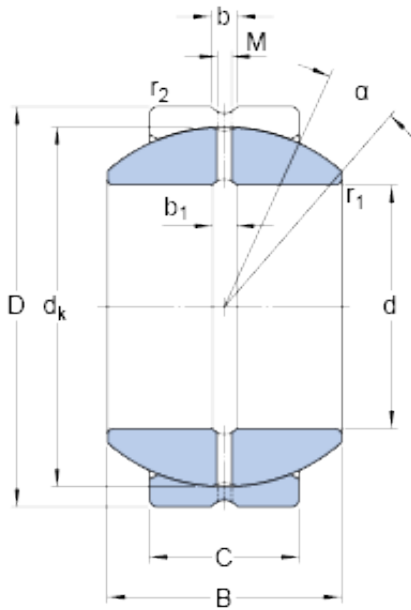




NACHI BEARINGS TRAINING INDUSTRY



GEZH 508 ES Bearing 2D drawings and 3D CAD models

139.7 mm x 222.25 mm x 125.73 mm SKF
GEZH 508 ES plain bearings

Bearing No. GEZH 508 ES

Size	222.25x139.7x125.73 mm
Bore Diameter	222,25 mm
Outer Diameter	139,7 mm
Width	125,73 mm
d	139.7 mm
D	222.25 mm
B	125.73 mm
C	104.775 mm
	7 °
d _k	207.162 mm
b	15 mm
b ₁	11 mm
M	8 mm
r ₁ - min.	2 mm
r ₂ - min.	1.1 mm
d _a - min.	152 mm
d _a - max.	164 mm
D _a - min.	197 mm
D _a - max.	213.5 mm
r _a - max.	2 mm
r _b - max.	1.1 mm
Basic dynamic load rating - C	1730 kN
Basic static load rating - C ₀	5200 kN
Specific factor dinamic load - K	100 N/mm ²



NACHI BEARINGS TRAINING INDUSTRY

Specific factor static load - K_0	300 N/mm ²
Constant - K_M	330
Lubricant	Regular relubrication – grease
Design (sliding contact surface combination)	Steel/steel
Sealing solution	-
	7 °
d_k	207.162 mm
b_1	11 mm
r_1 min.	2 mm
r_2 min.	1.1 mm
d_a min.	152 mm
d_a max.	164 mm
D_a min.	197 mm
D_a max.	213.5 mm
r_a max.	2 mm
r_b max.	1.1 mm
Basic dynamic load rating C	1730 kN
Basic static load rating C_0	5200 kN
Specific dynamic load factor K	100 N/mm ²
Specific static load factor K_0	300 N/mm ²
Material constant K_M	330
Mass plain bearing	20.5 kg