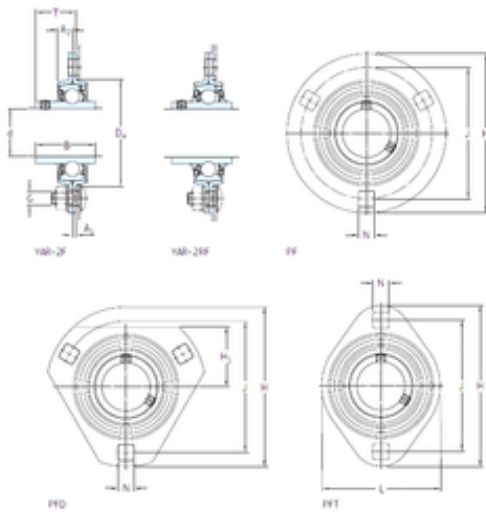




# NACHI BEARINGS TRAINING INDUSTRY



PFD 35 TR Bearing 2D drawings and 3D CAD models

## SKF PFD 35 TR bearing units

Bearing No. PFD 35 TR

|   |               |
|---|---------------|
| Bore Diameter                           | 35 mm         |
| Width                                   | 42,9 mm       |
| d                                       | 35 mm         |
| Da                                      | 81 mm         |
| A1                                      | 2,5 mm        |
| B                                       | 42,9 mm       |
| G                                       | 10 mm         |
| H                                       | 122 mm        |
| H1                                      | 45 mm         |
| J                                       | 100 mm        |
| L                                       | –             |
| N                                       | 11 mm         |
| T                                       | 27,9 mm       |
| A2                                      | 10 mm         |
| Weight                                  | 0,64 Kg       |
| Basic dynamic load rating (C)           | 25,5 kN       |
| Basic static load rating (C0)           | 15,3 kN       |
| Housing material                        | Pressed steel |
| A <sub>1</sub>                          | 2.5 mm        |
| A <sub>2</sub>                          | 10 mm         |
| B <sub>4</sub>                          | 6 mm          |
| D <sub>a</sub> min.                     | 77 mm         |
| H <sub>1</sub>                          | 45 mm         |
| s <sub>1</sub>                          | 25.4 mm       |
| Basic dynamic load rating C             | 25.5 kN       |
| Basic static load rating C <sub>0</sub> | 15.3 kN       |



## NACHI BEARINGS TRAINING INDUSTRY

|   |          |
|---|----------|
| Fatigue load limit $P_u$                          | 0.655 kN |
| Permissible radial housing load max.              | 6.5 kN   |
| Mass unit   | 0.64 kg  |
| Thread grub screw $G_2$                           | M6x0.75  |
| Hexagonal key size for grub screw N               | 3 mm     |
| Recommended tightening torque for grub screw      | 4 N · m  |
| Recommended diameter for attachment bolts, mm G   | 10 mm    |
| Recommended diameter for attachment bolts, inch G | 0.375 in |