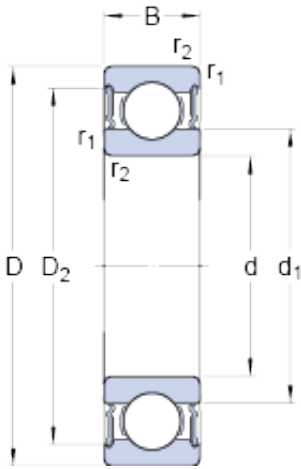




NACHI BEARINGS TRAINING INDUSTRY



40 mm x 68 mm x 21 mm SKF 63008-2RS1 deep groove ball bearings

Bearing No. 63008-2RS1

63008-2RS1 Bearing 2D drawings and 3D CAD models

Size	68x40x21 mm
Bore Diameter	68 mm
Outer Diameter	40 mm
Width	21 mm
d	40 mm
D	68 mm
B	21 mm
d ₁	49.25 mm
D ₂	61.1 mm
r _{1,2} - min.	1 mm
d _a - min.	44.6 mm
d _a - max.	49.2 mm
D _a - max.	63.4 mm
r _a - max.	1 mm
Basic dynamic load rating - C	16.8 kN
Basic static load rating - C ₀	11 kN
Fatigue load limit - P _u	0.49 kN
Limiting speed	6300 r/min
Calculation factor - k _r	0.025
Calculation factor - f ₀	15
Category	Single Row Ball Bearings
Inventory	0.0
Manufacturer Name	SKF
Minimum Buy Quantity	N/A



NACHI BEARINGS TRAINING INDUSTRY

Weight / Kilogram	0.268
EAN	7316576678554
Product Group	B00308
Enclosure	2 Seals
Precision Class	ABEC 1 ISO P0
Maximum Capacity / Filling Slot	No
Rolling Element	Ball Bearing
Snap Ring	No
Internal Special Features	No
Cage Material	Steel
Enclosure Type	Contact Seal
Internal Clearance	C0-Medium
Inch - Metric	Metric
Long Description	40MM Bore; 68MM Outside Diameter; 21MM Outer Race Diameter; 2 Seals; Ball Bearing; ABEC 1 ISO P0; No Filling Slot; No Snap Ring; No Internal Special Features
Other Features	Cartridge Bearing
Category	Single Row Ball Bearing
UNSPSC	31171504
Harmonized Tariff Code	8482.10.50.68
Noun	Bearing
Keyword String	Ball
Manufacturer URL	http://www.skf.com
Manufacturer Item Number	63008-2RS1
Weight / LBS	0.622
Bore	1.575 Inch 40 Millimeter
Outer Race Width	0.827 Inch 21 Millimeter
Outside Diameter	2.677 Inch 68 Millimeter
bore diameter:	40 mm



NACHI BEARINGS TRAINING INDUSTRY

static load capacity:	11 kN
outside diameter:	68 mm
precision rating:	ABEC 3 (ISO Class 6)
overall width:	21 mm
finish/coating:	Uncoated
bore type:	Round
cage material:	Steel
closure type:	Double Sealed
outer ring width:	21 mm
row type & fill slot:	Single Row Non-Fill Slot
fillet radius:	1 mm
internal clearance:	C0
maximum rpm:	6300 RPM
operating temperature range:	-40 to +210 ° F
series:	63
dynamic load capacity:	16.8 kN
d_1	49.25 mm
D_2	61.1 mm
$r_{1,2}$ min.	1 mm
d_a min.	44.6 mm
d_a max.	49.2 mm
D_a max.	63.4 mm
r_a max.	1 mm
Basic dynamic load rating C	16.8 kN
Basic static load rating C_0	11 kN
Fatigue load limit P_u	0.49 kN
Calculation factor k_r	0.025
Calculation factor f_0	15
Mass bearing	0.27 kg