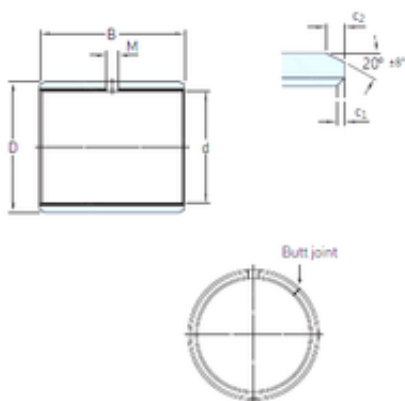




NACHI BEARINGS TRAINING INDUSTRY



38,1 mm x 42,069 mm x 31,75 mm SKF PCZ
2420 E plain bearings

Bearing No. PCZ 2420 E

Size	38.1x42.069x31.75 mm
Bore Diameter	38,1 mm
Outer Diameter	42,069 mm
Width	31,75 mm
d	38,1 mm
D	42,069 mm
B	31,75 mm
c1 min	0,1 mm
c2 min	0,8 mm
M	– mm
Weight	0,06 Kg
Basic dynamic load rating (C)	95 kN
c ₁ min.	0.1 mm
c ₁ max.	0.7 mm
c ₂ min.	0.8 mm
c ₂ max.	1.6 mm
± 8	20 °
Shaft diameter range min.	38.029 mm
Shaft diameter range max.	38.07 mm
Housing bore range min.	42.057 mm
Housing bore range max.	42.083 mm
Basic dynamic load rating - radial direction C	95 kN
Basic static load rating - radial direction C ₀	290 kN

PCZ 2420 E Bearing 2D drawings and 3D CAD models



NACHI BEARINGS TRAINING INDUSTRY

Specific dynamic load factor K	80 N/mm ²
Specific static load factor K_0	250 N/mm ²
Factor depending on material and bearing type K_M	480
Permissible sliding velocity v min.	0 m/s
Permissible sliding velocity v max.	2 m/s
Coefficient of friction μ min.	0.03
Coefficient of friction μ max.	0.25
Mass bushing	0.06 kg