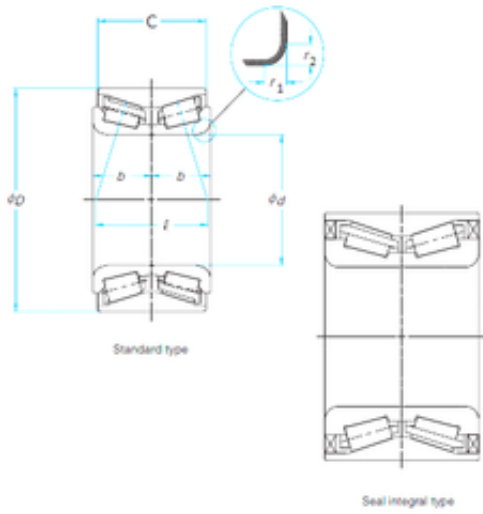




NACHI BEARINGS TRAINING INDUSTRY



35 mm x 68 mm x 50 mm SKF
BTHB1861887AA tapered roller bearings

Bearing No. BTHB1861887AA

Size	35x68x50 mm
Bore Diameter	35 mm
Outer Diameter	68 mm
Width	50 mm
d	35 mm
D	68 mm
B	50 mm

BTHB1861887AA Bearing 2D drawings and 3D CAD models