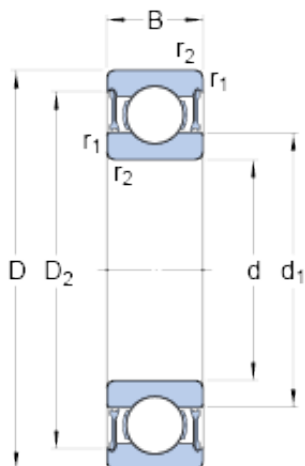




NACHI BEARINGS TRAINING INDUSTRY



35 mm x 72 mm x 17 mm SKF W 6207-2RZ
deep groove ball bearings

Bearing No. W 6207-2RZ

W 6207-2RZ Bearing 2D drawings and 3D CAD models

Size	72x35x17 mm
Bore Diameter	72 mm
Outer Diameter	35 mm
Width	17 mm
d	35 mm
D	72 mm
B	17 mm
d ₁	47.6 mm
D ₂	64.83 mm
r _{1,2} - min.	1.1 mm
D _a - max.	65.5 mm
r _a - max.	1 mm
Basic dynamic load rating - C	22.1 kN
Basic static load rating - C ₀	15.3 kN
Fatigue load limit - P _u	0.655 kN
Reference speed	22000 r/min
Limiting speed	11000 r/min
Calculation factor - k _r	0.03
Calculation factor - f ₀	13.9
d ₁	47.6 mm
D ₂	64.83 mm
r _{1,2} min.	1.1 mm
d _a min.	41.5 mm
d _a max.	46.5 mm



NACHI BEARINGS TRAINING INDUSTRY

D_a max.	65.5 mm
r_a max.	1 mm
Basic dynamic load rating C	22.1 kN
Basic static load rating C_0	15.3 kN
Fatigue load limit P_u	0.655 kN
Calculation factor k_r	0.03
Calculation factor f_0	13.9
Mass bearing	0.28 kg