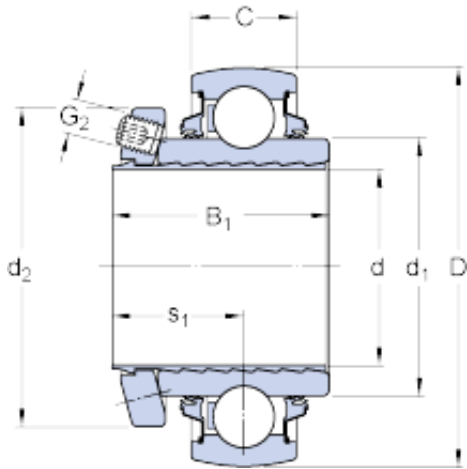




NACHI BEARINGS TRAINING INDUSTRY



YSPAG 206 Bearing 2D drawings and 3D CAD models

SKF YSPAG 206 deep groove ball bearings

Bearing No. YSPAG 206

Size	62x30x37 mm
Bore Diameter	62 mm
Outer Diameter	30 mm
Width	37 mm
d	30 mm
D	62 mm
B ₁	37 mm
C	18 mm
d ₁	39.7 mm
d ₂	48 mm
s ₁	23 mm
Basic dynamic load rating - C	19.5 kN
Basic static load rating - C ₀	11.2 kN
Fatigue load limit - P _u	0.475 kN
Limiting speed	1200 r/min
Calculation factor - f ₀	14
Mass bearing	0.3 kg
Thread - G ₂	M5
Hexagonal key size for grub screw - H	2.5 mm
Recommended tightening torque for grub screw	4.2 N · m
Category	Bearings
Inventory	0.0
Manufacturer Name	SKF



NACHI BEARINGS TRAINING INDUSTRY

Minimum Buy Quantity	N/A
Weight / Kilogram	0
Product Group	M06110
B_1	37.2 mm
d_1	39.7 mm
d_2	48 mm
s_1	23.2 mm
Basic dynamic load rating C	19.5 kN
Basic static load rating C_0	11.2 kN
Fatigue load limit P_u	0.475 kN
Limiting speed ¹⁾	1200 r/min
Calculation factor f_0	14
Mass complete bearing	0.3 kg
Thread grub screw G_2	M5
Hexagonal key size for grub screw N	2.54 mm